



80 38 mm

Axial Fan 增压型风扇

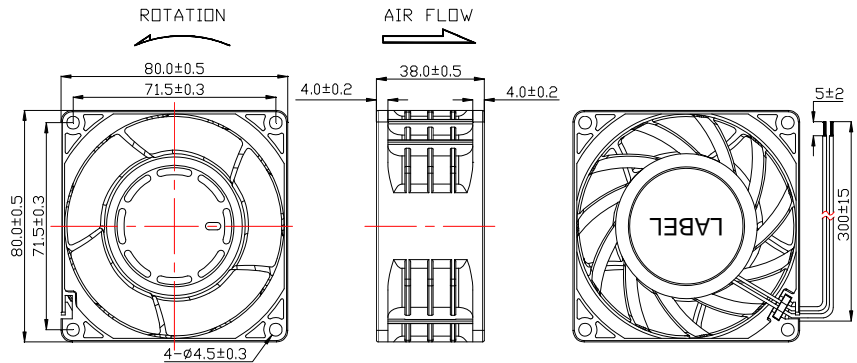
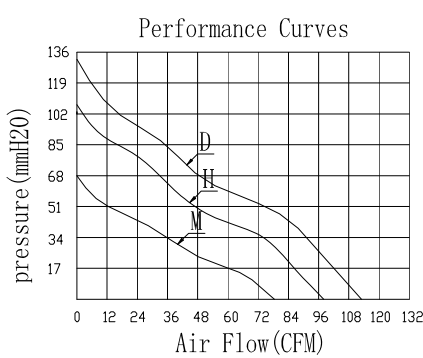


常用规格 (General Specification:)

- ◆外框 (Frame) : PBT OF UL 94V-0
- ◆扇叶 (Impeller) : PBT OF UL 94V-0
- ◆轴承型号(Bearing Type) : Sleeve Bearing & Ball Bearing
- ◆引线 (Lead Wires) : UL Type or Equivalent (+) : Red (-) : Black
- ◆马达保护(Motor Protection):Reverse Polarity Protected; Automatic Restart
- ◆工作温度和湿度 (Operating Temperature and Humidity) :-10℃~70℃,5%~90%RH
- ◆储存温度和湿度 (Storage Temperature and Humidity) :-40℃~80℃,5%~95%RH

风扇性能曲线 (Fan Performance Curve)

尺寸 (Dimensions) (Unit:mm)



规格 (Specifications)

| 型号 Listed Model | 额定电压 Rated Voltage | 工作电压 Operating Voltage | 额定电流 Rated Current | 转速 Rated Speed | 风量 Air Flow | 风压 Static pressure | 噪音 Noise Level | 可选功能 Available Features (Optional) | | | | 重量 Weight |
|--------------------|-----------------------|---------------------------|-----------------------|-------------------|----------------|-----------------------|-------------------|---------------------------------------|---------------------------|-----------------------|--------------------------------|--------------|
| | (VDC) | (VDC) | (A) | (RPM) | (CFM) | (mmH2O) | (dBA) | 转速侦测 Tachometer Output | 锁机报警 Rotation Detector | 温控 Thermal Control | 脉冲调速 Pulse Width Modulation | g |
| DFX803812D | 12 | 8.0~13.8 | 3.00 | 15,000 | 114.10 | 132.10 | 69.10 | ◆ | ◆ | ◆ | ◆ | 264 |
| DFX803812H | | 8.0~13.8 | 1.80 | 12,500 | 98.00 | 106.00 | 64.40 | ◆ | ◆ | ◆ | ◆ | |
| DFX803812M | | 8.0~13.8 | 1.10 | 10,000 | 78.50 | 67.90 | 58.50 | ◆ | ◆ | ◆ | ◆ | |
| DFX803824D | 24 | 12.0~27.6 | 1.40 | 15,000 | 114.10 | 132.10 | 69.10 | ◆ | ◆ | ◆ | ◆ | |
| DFX803824H | | 12.0~27.6 | 0.80 | 12,500 | 98.00 | 106.00 | 64.40 | ◆ | ◆ | ◆ | ◆ | |
| DFX803824M | | 12.0~27.6 | 0.45 | 10,000 | 78.50 | 67.90 | 58.50 | ◆ | ◆ | ◆ | ◆ | |
| DFX803848D | 48 | 28.0~56.0 | 0.75 | 15,000 | 114.10 | 132.10 | 69.10 | ◆ | ◆ | ◆ | ◆ | |
| DFX803848H | | 28.0~56.0 | 0.45 | 12,500 | 98.00 | 106.00 | 64.40 | ◆ | ◆ | ◆ | ◆ | |
| DFX803848M | | 28.0~56.0 | 0.30 | 10,000 | 78.50 | 67.90 | 58.50 | ◆ | ◆ | ◆ | ◆ | |

X=S:Sleeve Bearing or B: Ball Bearing or H:Hydro Bearing ; Specifications are subject to change without notice

