



COOLINGFAN

50 20
mm

Blower FAN

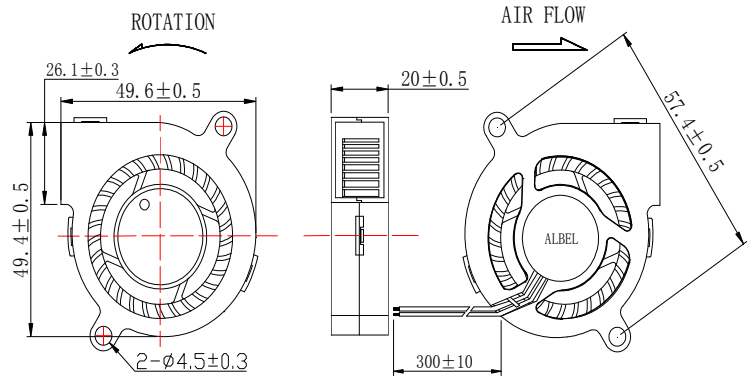
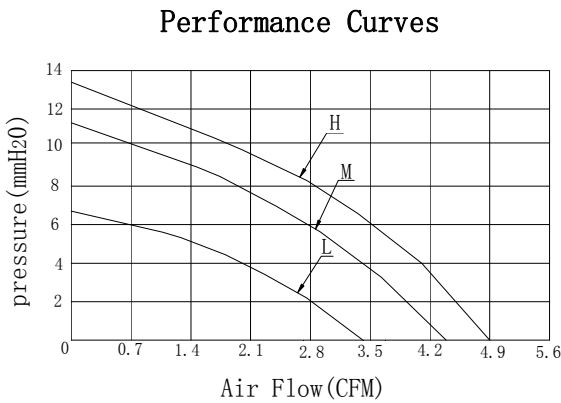


常用规格 (General Specification:)

- ◆外框 (Frame) : PBT OF UL 94V-0
- ◆扇叶 (Impeller) : PBT OF UL 94V-0
- ◆轴承型号 (Bearing Type) : Sleeve Bearing & Ball Bearing& Hydro Bearing
- ◆引线 (Lead Wires) : UL Type or Equivalent (+) : Red (-) : Black
- ◆马达保护 (Motor Protection) : Reverse Polarity Protected;
Automatic Restart
- ◆工作温度和湿度 (Operating Temperature and Humidity) : -10℃~70℃, 5%~90%RH
- ◆储存温度和湿度 (Storage Temperature and Humidity) : -40℃~80℃, 5%~95%RH

风扇性能曲线 (Fan Performance Curve)

尺寸 (Dimensions) (Unit:mm)



规格 (Specifications)

| 型号 Listed Model | 额定电压 Rated Voltage | 工作电压 Operating Voltage | 额定电流 Rated Current | 转速 Rated Speed | 风量 Air Flow | 风压 Static pressure | 噪音 Noise Level | 可选功能 Available Features (Optional) | | | | 重量 Weight |
|-----------------------|--------------------------|------------------------------|--------------------------|-------------------|-------------------|--------------------------|----------------------|---------------------------------------|------------------------------|--------------------------|-----------------------------------|--------------|
| | (VDC) | (VDC) | (A) | (RPM) | (CFM) | (mmH ₂ O) | (dBA) | 转速侦测 Tachometer Output | 锁机报警 Rotation Detector | 温控 Thermal Control | 脉冲调速 Pulse Width Modulation | g |
| DFX502005H | 5 | 3.5~5.75 | 0.30 | 5,000 | 4.90 | 13.80 | 33.70 | ◆ | ◆ | ◆ | ◆ | 30 |
| DFX502005M | | 3.5~5.75 | 0.20 | 4,500 | 4.40 | 11.20 | 31.00 | ◆ | ◆ | ◆ | ◆ | |
| DFX502005L | | 3.5~5.75 | 0.15 | 3,500 | 3.40 | 6.80 | 24.40 | ◆ | ◆ | ◆ | ◆ | |
| DFX502012H | 12 | 6.0~13.8 | 0.20 | 5,000 | 4.90 | 13.80 | 33.70 | ◆ | ◆ | ◆ | ◆ | |
| DFX502012M | | 6.0~13.8 | 0.15 | 4,500 | 4.40 | 11.20 | 31.00 | ◆ | ◆ | ◆ | ◆ | |
| DFX502012L | | 6.0~13.8 | 0.10 | 3,500 | 3.40 | 6.80 | 24.40 | ◆ | ◆ | ◆ | ◆ | |
| DFX502024H | 24 | 12.0~27.6 | 0.15 | 5,000 | 4.90 | 13.80 | 33.70 | ◆ | ◆ | ◆ | ◆ | |
| DFX502024M | | 12.0~27.6 | 0.10 | 4,500 | 4.40 | 11.20 | 31.00 | ◆ | ◆ | ◆ | ◆ | |
| DFX502024L | | 12.0~27.6 | 0.06 | 3,500 | 3.40 | 6.80 | 24.40 | ◆ | ◆ | ◆ | ◆ | |

X=S:Sleeve Bearing or B: Ball Bearing or H:Hydro Bearing ; Specifications are subject to change without notice

