



COOLINGFAN

50 10
mm

Axial Fan

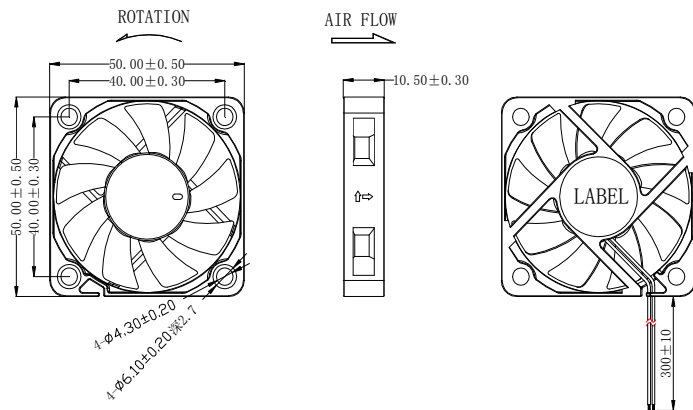
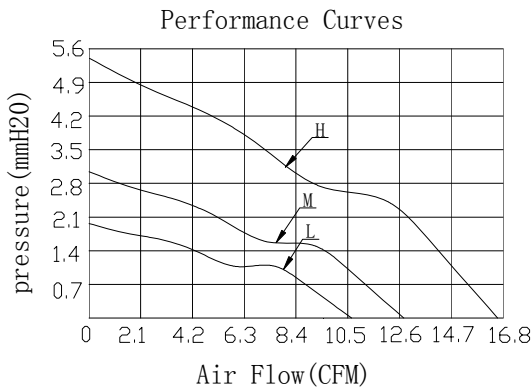


常用规格 (General Specification:)

- ◆外框 (Frame) : PBT OF UL 94V-0
- ◆扇叶 (Impeller) : PBT OF UL 94V-0
- ◆轴承型号 (Bearing Type) : Sleeve Bearing & Ball Bearing & Hydro Bearing
- ◆引线 (Lead Wires) : UL Type or Equivalent (+) : Red (-) : Black
- ◆马达保护 (Motor Protection) : Reverse Polarity Protected; Automatic Restart
- ◆工作温度和湿度 (Operating Temperature and Humidity) : -10°C~70°C, 5%~90%RH
- ◆储存温度和湿度 (Storage Temperature and Humidity) : -40°C~80°C, 5%~95%RH

风扇性能曲线 (Fan Performance Curve)

尺寸 (Dimensions) (Unit:mm)



规格 (Specifications)

| 型号 Listed Model | 额定电压 Rated Voltage | 工作电压 Operating Voltage | 额定电流 Rated Current | 转速 Rated Speed | 风量 Air Flow | 风压 Static pressure | 噪音 Noise Level | 可选功能 Available Features (Optional) | | | | 重量 Weight |
|-----------------------|--------------------------|------------------------------|--------------------------|----------------------|-------------------|--------------------------|----------------------|---------------------------------------|------------------------------|--------------------------|-----------------------------------|--------------|
| | (VDC) | (VDC) | (A) | (RPM) | (CFM) | (mmH2O) | (dBA) | 转速侦测 Tachometer Output | 锁机报警 Rotation Detector | 温控 Thermal Control | 脉冲调速 Pulse Width Modulation | g |
| DFX501005H | 5 | 3.5~5.75 | 0.30 | 6,500 | 16.60 | 5.20 | 35.70 | ◆ | ◆ | | ◆ | 19 |
| DFX501005M | | 3.5~5.75 | 0.22 | 5,000 | 12.70 | 3.10 | 28.90 | ◆ | ◆ | | ◆ | |
| DFX501005L | | 3.5~5.75 | 0.15 | 4,000 | 10.20 | 2.00 | 23.10 | ◆ | ◆ | | ◆ | |
| DFX501012H | 12 | 6.0~13.8 | 0.16 | 6,500 | 16.60 | 5.20 | 35.70 | ◆ | ◆ | | ◆ | |
| DFX501012M | | 6.0~13.8 | 0.12 | 5,000 | 12.70 | 3.10 | 28.90 | ◆ | ◆ | | ◆ | |
| DFX501012L | | 6.0~13.8 | 0.10 | 4,000 | 10.20 | 2.00 | 23.10 | ◆ | ◆ | | ◆ | |
| DFX501024H | 24 | 12.0~27.6 | 0.15 | 6,500 | 16.60 | 5.20 | 35.70 | ◆ | ◆ | | ◆ | |
| DFX501024M | | 12.0~27.6 | 0.10 | 5,000 | 12.70 | 3.10 | 28.90 | ◆ | ◆ | | ◆ | |
| DFX501024L | | 12.0~27.6 | 0.08 | 4,000 | 10.20 | 2.00 | 23.10 | ◆ | ◆ | | ◆ | |

X=S:Sleeve Bearing or B: Ball Bearing or H:Hydro Bearing ; Specifications are subject to change without notice

