



100³³ mm

Blower FAN

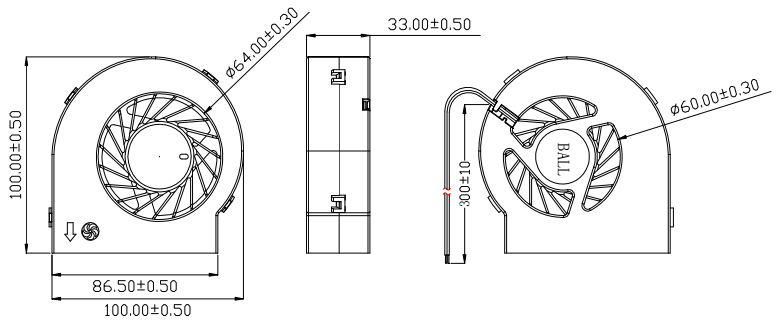
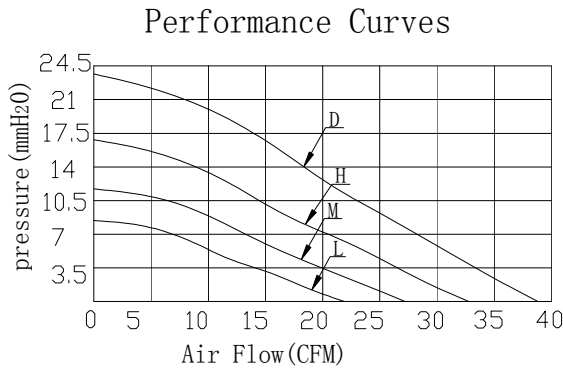


常用规格 (General Specification:)

- ◆外框 (Frame) : PBT OF UL 94V-0
- ◆扇叶 (Impeller) : PBT OF UL 94V-0
- ◆轴承型号 (Bearing Type) : Sleeve Bearing & Ball Bearing & Hydro Bearing
- ◆引线 (Lead Wires) : UL Type or Equivalent (+) : Red (-) : Black
- ◆马达保护 (Motor Protection) : Reverse Polarity Protected; Automatic Restart
- ◆工作温度和湿度 (Operating Temperature and Humidity) : -10°C~70°C, 5%~90%RH
- ◆储存温度和湿度 (Storage Temperature and Humidity) : -40°C~80°C, 5%~95%RH

风扇性能曲线 (Fan performance Curve)

尺寸 (Dimensions) (Unit:mm)



规格 (Specifications)

型号 Listed Model	额定电压 Rated Voltage	工作电压 Operating Voltage	额定电流 Rated Current	转速 Rated Speed	风量 Air Flow	风压 Static pressure	噪音 Noise Level	可选功能 Available Features (Optional)				重量 Weight g
	(VDC)	(VDC)	(A)	(RPM)	(CFM)	(mmH2O)	(dBA)	转速侦测 Tachometer Output	锁机报警 Rotation Detector	温控 Thermal Control	脉冲调速 Pulse Width Modulation	
DFX103312D	12	6.0~13.8	0.80	3,500	38.60	23.20	47.90	◆	◆	◆	◆	120
DFX103312H		6.0~13.8	0.50	3,000	33.10	17.00	43.90	◆	◆	◆	◆	
DFX103312M		6.0~13.8	0.35	2,500	27.60	11.80	39.10	◆	◆	◆	◆	
DFX103312L		6.0~13.8	0.25	2,000	22.00	7.60	33.30	◆	◆	◆	◆	
DFX103324D	24	12.0~27.6	0.40	3,500	38.60	23.20	47.90	◆	◆	◆	◆	
DFX103324H		12.0~27.6	0.25	3,000	33.10	17.00	43.90	◆	◆	◆	◆	
DFX103324M		12.0~27.6	0.20	2,500	27.60	11.80	39.10	◆	◆	◆	◆	
DFX103324L		12.0~27.6	0.15	2,000	22.00	7.60	33.30	◆	◆	◆	◆	

X=S:Sleeve Bearing or B: Ball Bearing or H:Hydro Bearing ; Specifications are subject to change without notice

